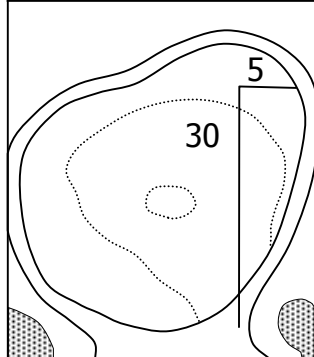




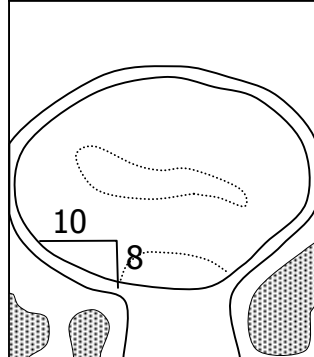
The 35th Ryder Cup Matches
Oakland Hills Country Club
Sunday, September 19, 2004 • Singles



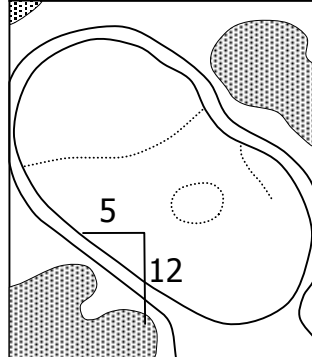
Hole 1 Depth 35



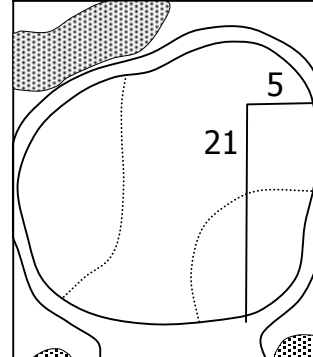
Hole 2 Depth 29



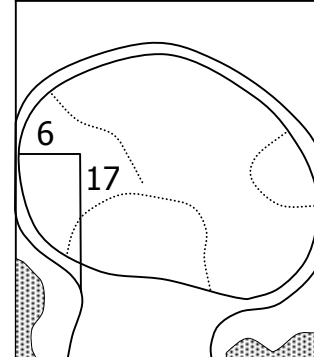
Hole 3 Depth 30



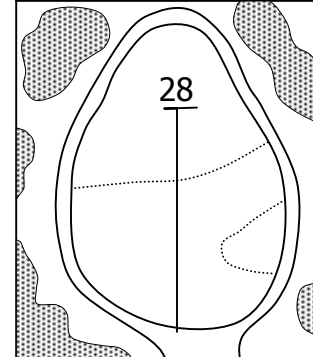
Hole 4 Depth 28



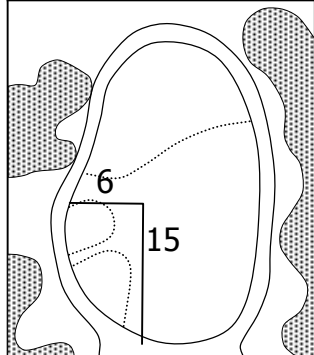
Hole 5 Depth 26



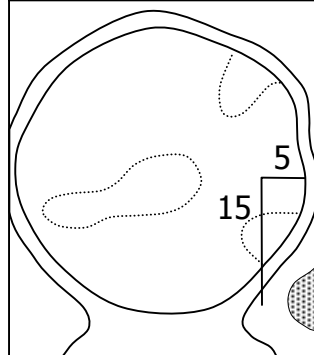
Hole 6 Depth 38



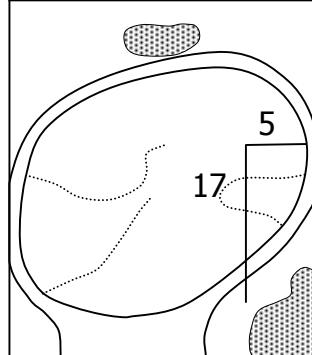
Hole 7 Depth 30



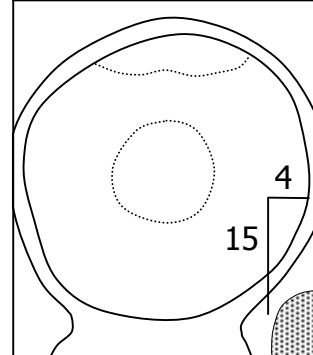
Hole 8 Depth 29



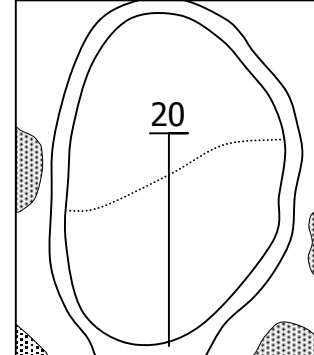
Hole 9 Depth 26



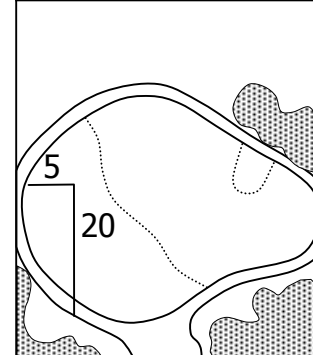
Hole 10 Depth 33



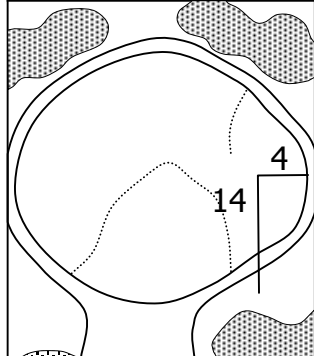
Hole 11 Depth 30



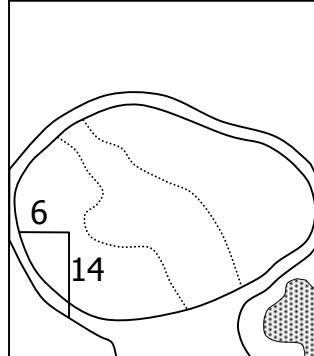
Hole 12 Depth 29



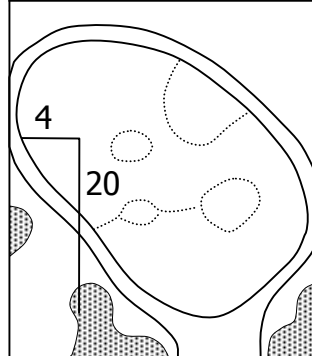
Hole 13 Depth 26



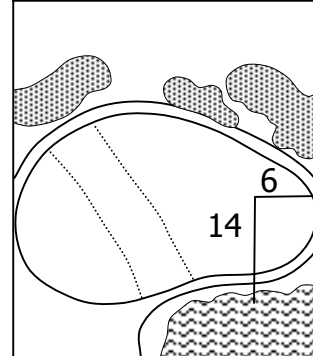
Hole 14 Depth 29



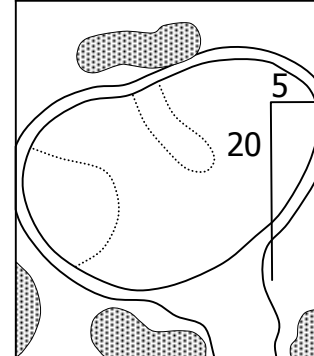
Hole 15 Depth 30



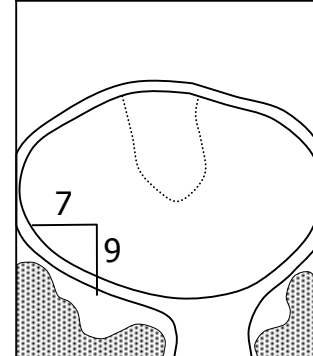
Hole 16 Depth 22



Hole 17 Depth 26



Hole 18 Depth 21



ALL MEASUREMENT ARE IN PACES